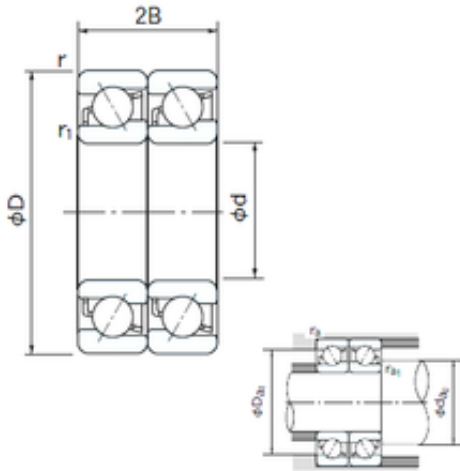




Jinan Shenglei Bearing Co., Ltd.



7012DT Bearing 2D drawings and 3D CAD models

60 mm x 95 mm x 18 mm NACHI 7012DT Angular contact ball bearing

Bearing No. 7012DT

Size	60x95x18 mm
Bore Diameter	60 mm
Outer Diameter	95 mm
Width	18 mm
d	60 mm
D	95 mm
B	18 mm
C	18 mm
Angle (°)	30 °
a	13.4 mm
r min.	1.1 mm
r1 min.	0.6 mm
2B	36 mm
da min.	66 mm
Da max.	91 mm
ra max.	0.6 mm
Weight	0.450 Kg
Basic dynamic load rating (C)	51,5 kN
Basic static load rating (C0)	56 kN
(Grease) Lubrication Speed	4500 r/min