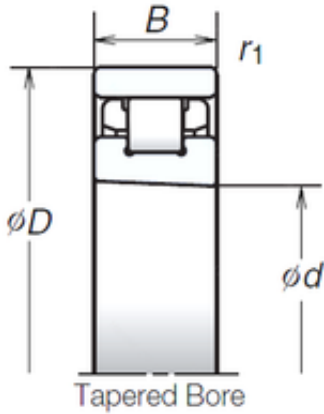




Jinan Shenglei Bearing Co., Ltd.



80 mm x 125 mm x 22 mm NSK N1016RXHZTPKR Cylindrical roller bearing

Bearing No. N1016RXHZTPKR

Size	80x113x22 mm
Bore Diameter	80 mm
Outer Diameter	113 mm
Width	22 mm
d	80 mm
D	125 mm
E	113 mm
B	22 mm
C	22 mm
r min.	1,1 mm
Weight	0,785 Kg
Basic dynamic load rating (C)	36,5 kN
Basic static load rating (C0)	39,5 kN
(Grease) Lubrication Speed	14 000 r/min

N1016RXHZTPKR Bearing 2D drawings and 3D CAD models