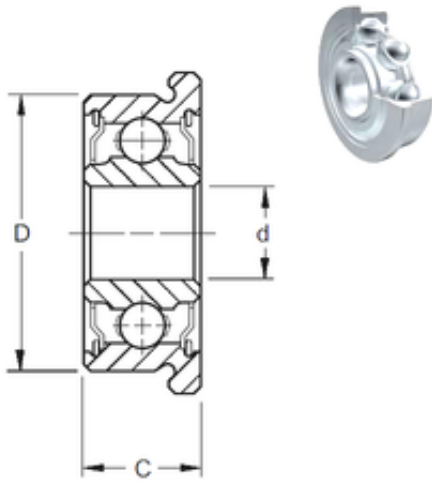




Jinan Shenglei Bearing Co., Ltd.



17 mm x 26 mm x 5 mm ZEN F61803-2Z Deep groove ball bearing

Bearing No. F61803-2Z

Size	17x26x5 mm
Bore Diameter	17 mm
Outer Diameter	26 mm
Width	5 mm
d	17 mm
D	26 mm
B	5 mm
C	5 mm
Basic dynamic load rating (C)	2,233 kN
Basic static load rating (C0)	1,456 kN
(Grease) Lubrication Speed	26000 r/min

F61803-2Z Bearing 2D drawings and 3D CAD models