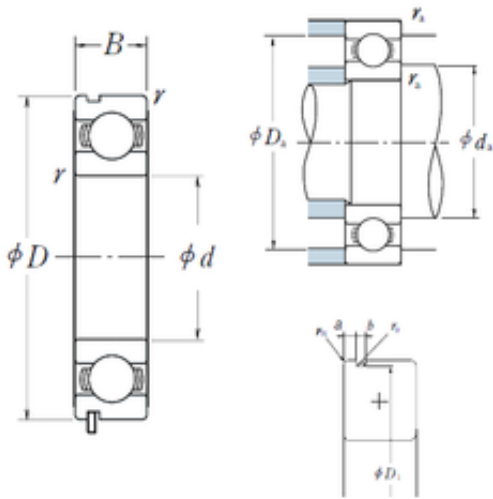




# Jinan Shenglei Bearing Co., Ltd.



## 130 mm x 200 mm x 33 mm NSK 6026N Deep groove ball bearing

Bearing No. 6026N

Size	130x200x33 mm
Bore Diameter	130 mm
Outer Diameter	200 mm
Width	33 mm
d	130 mm
D	200 mm
B	33 mm
C	33 mm
rn	0,5 mm
a	5,69 mm
b	3,5 mm
r min.	2 mm
r0 max.	0,6 mm
D1	193,65 mm
da min.	139 mm
da max	148,5 mm
Da max.	191 mm
ra max.	2 mm
Weight	3,26 Kg
Basic dynamic load rating (C)	106 kN
Basic static load rating (C0)	101 kN
(Grease) Lubrication Speed	3 000 r/min
(Oil) Lubrication Speed	3 600 r/min
SRI	10.68
hidYobi	6026N

6026N Bearing 2D drawings and 3D CAD models



## Jinan Shenglei Bearing Co., Ltd.

LangID	1
ro	0.6
D_	200
SREX	0.04
B_	33
da min	139
hidTable	ecat_NSRDGB
Oil rpm	3600
SRE	10.68
mass	3.26
GRS rpm	3000
ra	2
SRIX	0.04
D_a	191
SRIN	-0.04
C0	101
fo	15.8
SREN	-0.04
DE_	185.638
Prod_Type3	DGBB_SR_N_OT
DA_	20.638
bomp	0
Z_	15
yobi	6026N
C_conv	106000
ALPHA_	0
SDM_	165
r	2
KBRG	6101
SBRG	10
DI_	144.362